

**Installation Instructions:
HP L-Bracket Mount Kit for
hp Carrier-Grade Servers
cc2300, cc3300, and cc3310
(for 19 inch 2-Post Rack)**

Version 2.0



Manufacturing Part Number: cc3310_Lbracket

February 2004

U.S.A.

© 2003-2004 Hewlett-Packard Development Company, L.P.

Legal Notices

Copyright © 2003-2004 Hewlett-Packard Development Company, L.P.

The information contained herein is subject to change without notice. The only warranties for HP products and services are set forth in the express warranty statements accompanying such products and services. Nothing herein should be construed as constituting an additional warranty. HP shall not be liable for technical or editorial errors or omissions contained herein.

Printed in the U.S.A.

Related Documents. The *HP Server cc3310 User Information Diagnostics and Utilities Resource CD-ROM* has been provided with your server. It contains a complete documentation set for the server. Included on the CD-ROM is the *hp Carrier-Grade Server cc3310 Product Guide*, which contains in-depth troubleshooting, installation, and repair information.

In addition, the latest versions of all cc3310 documents, and any product updates to these documents, are posted under the appropriate server at: <http://docs.hp.com>. Search keyword cc3310.

HP L-Bracket Mount Kit for 19 in. 2-Post Rack Installation Instructions

Introduction

This manual provides installation instructions for use with 19" 2-post racks. The L-bracket mount kit (A6904) includes 2 L-brackets and 6 screws.

- 19" 2-post racks (use rack mount kit: A6904A)

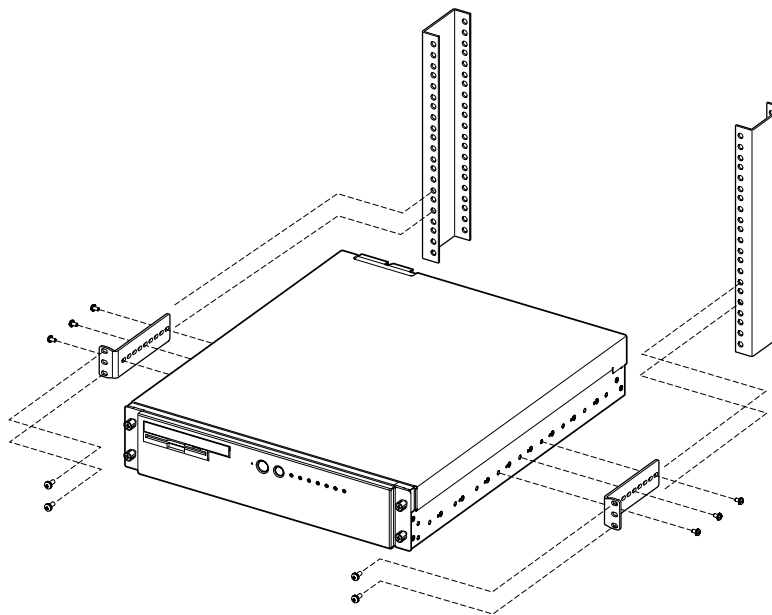
Platforms supported:

- cc3300 and cc3310 Carrier Grade Servers
- cc2300 Carrier Grade Server, for example

NOTE Although the cc3300 chassis is shown in the illustrations below, these instructions also apply to the cc3310 and cc2300 chassis.

Verify the contents of the rack mount kit; 2 brackets and 6 screws.

Figure 1-1. Installing L-Brackets



Multiple holes in the mounting bracket combined with multiple threaded holes in the chassis allow adjustment of the bracket on approximately ½-inch centers up to the practical limits of weight distribution. It is recommended however, to attach the mounting brackets to the center three mounting holes (counting from the front or back, holes 4, 5, and 6) in the chassis using at least four of the six screws provided in the kit. Install the chassis in the rack using four rack screws (not provided in the rack mount kit).

NOTE You must provide the four screws that attach the server to the rack since the requirements for these screws will vary depending on the specification of the rack manufacturer.

Figure 1-2. Chassis Mounting in a 2-Post Rack

